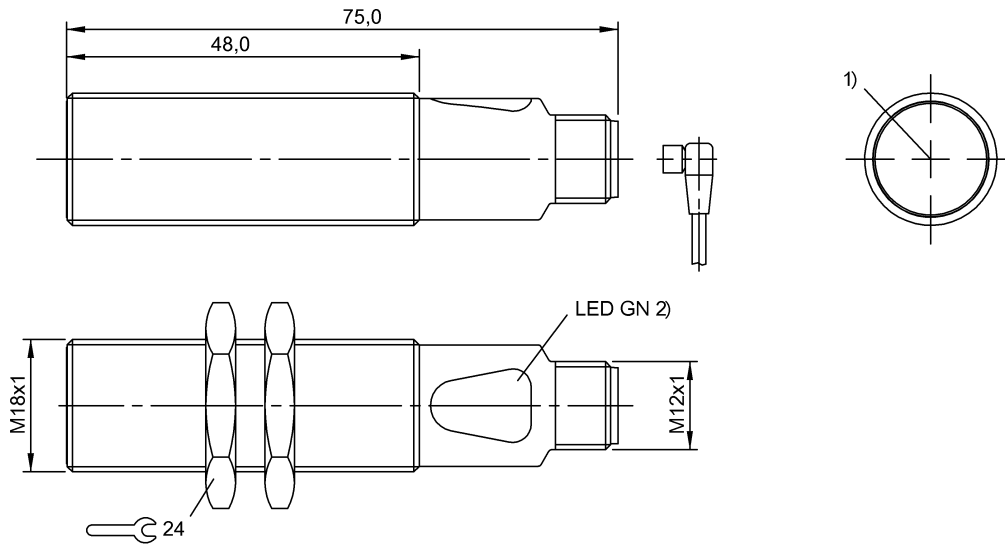


BOS 18M-XI-RS30-S4 BOS01UF



1) Optical axis 2) Operating voltage



Display/Operation

Adjuster no

Electrical connection

Connection M12x1-Connector, 4-pole, A-coded
Contact, surface protection Gold plated
Polarity reversal protected yes

Electrical data

Baud rate 38.4 kBaud
No-load current I_0 max. at U_e 40 mA
Operating voltage U_b 18...30 VDC
Pollution degree 3
Protected against miswiring yes
Rated insulation voltage U_i 75 V DC
Rated operating voltage U_e DC 24 V

Environmental conditions

Ambient temperature -5...55 °C
Protection class II
Protection type IEC 60529 IP67

Functional safety

Functional safety no

General data

Approval/Conformity cULus
CE
Basic standard IEC 60947-5-2
Function class, smart sensor Diagnostics
Identification
Reference receiver BOS 18M-PI-RE30-S4
Series 18M
Style Cylinder
Straight optics

Material

Housing material Brass
Material sensing surface Glass
Surface protection nickel plates

Mechanical data

Dimension \varnothing 18 x 75 mm
Fastening detail Nut M18x1
Tightening torque max. 15 Nm
30 Nm

Optical data

LED group per IEC 62471 Risk group 1
Light type LED Red light
Principle of optical operation Through-beam sensor (Emitter)
Wave length 626 nm

Output/Interface

Interface IO-Link 1.1

BOS 18M-XI-RS30-S4 BOS01UF

| | | | |
|--------------------------|----------------------------|--------------------------------|------|
| Interface setting option | Sensor name in application | Rated operating distance S_n | 20 m |
| Process data cycle min. | 3 ms | Ripple max. (% of U_e) | 15 % |
| Process data out | Error active/inactive | | |

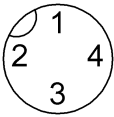
Range/Distance

| | |
|-----------------|----------|
| Measuring range | 0...20 m |
| Range | 0...20 m |

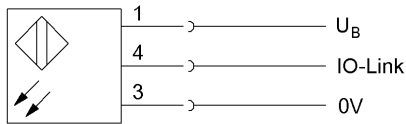
Remarks

For additional information, refer to user's guide.
Order accessories separately.

Connector view



Wiring Diagram



Symbols for Optoelectronic Sensors

